



Matrix



No gas connection, but you want a gas fire?
It's possible with Faber.

 **faber**

Matrix serie | 2019/2020 



Around a fire

Stories just keep coming

Together around the fire, familiar, comfortable. A good glass of wine, some nice music, the warmth around you, the light of the dancing flames. The stories come automatically. About what happened to you during the day, developments at work, news from friends and family. The stories from your past and your big dreams for the future. Things you don't usually share with others but that come so easy now, enveloped by warmth and trust. That's what a fire does to a person! Traditionally, fires were lit to keep the outside world at a distance. It's why a fire creates an atmosphere of intimacy and contact, where you listen to each other's stories.

A fire connects

Around a fire you share your holiday experiences with your friends, you tell your children a bedtime story, and you share your most intimate feelings with your loved one.

A look is all you need, and together you enjoy peaceful silence, gazing at the flames, because you don't need words to understand each other. The fire of love, where better than in front of an open fire? That is where you experience your most beautiful moments and when you take time for each other. That is where you share your stories, full of passion and full of fire!

There is **so much to tell...**



Faber means **175 years of quality**

The connective and soothing effect of an open fire is our passion. We are always looking for the best and most beautiful solutions, because we want our connoisseurs to enjoy an astonishing flame effect.

We strive for the same warmth and urge for quality in our contact with those around us. Our fires have been developed and produced in the Netherlands for devotees all over the world for more than 175 years. Today, Faber is part of the Irish family business Glen Dimplex, market leader in top-quality ambient electric fires. A strong and trusted combination, with a pure origin!

In the vanguard of the fire of the future

Faber's 'fire makers' are driven to produce the most beautiful ambient fires. Rooted in log fires, leading in gas fires and in the vanguard of fires with new fuels, such as biopropane, propane and water mist. With pure craftsmanship, knowledge and advanced technology, Faber is responsible for discoveries and patents that have become standard in the world of fires today. Our latest series of fires, the 'e-MatriX', uses water and electricity and is equally innovative. In short, 'making' ambient fires is part of Faber's DNA, and our pride and passion!

Your Faber fire built especially for you

If you choose a Faber, we build, adjust the settings and check the fire specifically for you. You can be certain that you have a characteristic Faber fire effect and a fire that operates perfectly and safely.

A Faber fire comes with a wealth of fittings as standard.

MatriX fires* are equipped with the latest Honeywell technology. Good to know and it feels good, because this technology guarantees a quick, safe start and the perfect operation of your Faber fire.

Together with the standard Faber ITC app, your fire is easy to operate and you can be confident that your fire is working in the best possible way.

Read everything about the ITC app on page 50.

* All MatriX fires, excluding the 450 series



Faber MatriX series

for a fire that suits you

The MatriX series offers the best of Faber. As the name 'MatriX' suggests, there is maximum freedom of choice to create the fire that fits your personal taste and interior décor. At the same time, you can count on the best quality that Faber has to offer. For fans of open fires who want to add maximum value to their interior décor and living environment.

Create your own fire

The MatriX series is 'modular' in composition, so there is a step-by-step choice of dimensions, the numbers of sides to experience the fire, the decoration, the finish and more. Even the fuel is a choice - all gas versions can be converted to natural gas, propane or biopropane. Are you going for the emission-free electric version, the e-MatriX?

The Faber specialist is there for you throughout the entire process!

Did you find your favourite Faber fire? It will be built, set and tested by Faber, specifically for you, before we deliver it to the Faber specialist who will install it in your home.

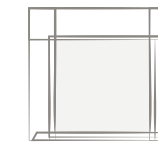


A Faber MatriX fire

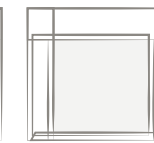
you create yourself

Whatever your preference may be, you always have our enchanting, patented fire effect; fire that fuels the stories people tell each other. Our modular program consists of several models, formats and decoration options.

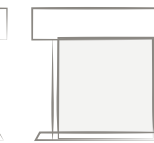
Model options



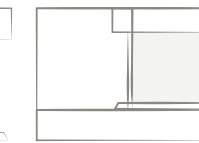
Front model



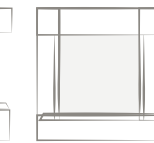
Two-sided model



Three-sided model



Room divider



See-through model

Decoration options



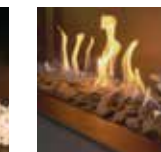
Log set



Large log set



Carrara pebbles



Grey split stones

Back walls



Back wall smooth steel



Back wall black mirror

Anti-reflective glass



With AR glass you reduce the unwanted light reflections from the glass of your fire. It ensures a better and more intense view of the flames.



A Faber MatriX fire **suits any interior**

Interior-design trends

Faber tracks the current interior design trends and developments in detail. This is reflected in our photography and the current trend information in this brochure. It shows how a Faber fire fits in your modern, classic or bohemian interior.

The Faber specialist will be pleased to assist!

Are you considering enriching your home with a Faber fire? Would you like an inspirational design that suits all your wishes and requirements? Faber has a network of selected fire specialists who are here to help. Committed and experienced enthusiasts who are familiar with the possibilities of Faber fires, and who have various Faber models on display. They are keen to advise and like to consider how you can translate your personal wishes into an appealing and attractive interior design. They also deal with professional installation. Check the Faber website for a Faber specialist near you.

Interior-décor style

Pastoral Poetry

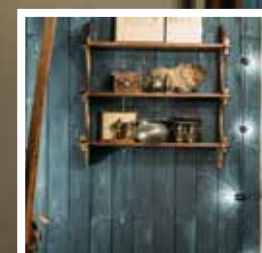
This idyllic and chic, rustic style oozes warmth and cosiness. Natural materials, dried grasses combined with indigo hues make nature lovers feel at home.

LINEAR FIRE

MatriX | 800/400

NEW

Available as a front, two-sided or three-sided model
Also available on propane or biopropane



A

Interior-décor style

Botanical Board

This industrial style gives a fresh yet cosy look. A natural, functional base inspired by studio designs. Personal treasures are displayed in charming, industrial cabinets.

LINEAR FIRE

MatriX | 1050/400

NEW

Available as a front, two-sided or three-sided model
Also available on propane or biopropane



A

Interior-décor style

Space Scene

This modern and futuristic interior has a subtle hint of stars and planets. The long horizontal lines and neon lights produce a lavish and spacious effect.

LINEAR FIRE

Matrix | 1300/400

NEW

Available as a front, two-sided or three-sided model
Also available on propane or biopropane



B

Interior-décor style

Urban Unity

This style is a bohemian melting pot of city and nature. A collection of vintage treasures, presented in warm brown, copper and natural tints.

MatriX | 450/500 III

Also available on propane or biopropane



A

We share our deepest secrets

“We lived in the same neighbourhood, shared the same school, the same sports clubs. We all have our own lives, but we like to get together to cook a meal. Taking a long time over dinner, we sit around the fire, often deep into the night, to share our stories.”

MatriX | 450/650 III

Also available on propane or biopropane



A

Matrix | 800/500 I

Also available on electricity, propane and biopropane



B

Matrix | 800/500 II

Also available on electricity, propane and biopropane



B

Matrix | 800/500 III

Also available on electricity, propane and biopropane



B

Matrix | 800/500 RD

Also available on electricity, propane and bio propane



Currently available with a log set of large logs and shortly with a log set with small logs.

B

Interior-décor style

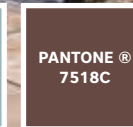
Delicate Desire

This contemporary style is characteristically modern with pure lines and geometric shapes. Lots of light, with pastel colours, warm and light fabrics, and a feel for nature.

MatriX | 800/500 ST

Also available on electricity, propane and biopropane

Currently available with a log set of large logs and shortly with a log set with small logs.



B

Matrix | 800/650 I

Also available on electricity, propane and biopropane



B

MatriX | 800/650 II

Also available on electricity, propane and biopropane



B

Matrix | 800/650 III

Also available on electricity, propane and biopropane



B

Small moments of happiness!

"We've been in this house for about 30 years. A little big maybe now that the children have left home. You can't get us away from here. We did want to live environmentally aware. So we had the whole house insulated from top to bottom, solar panels on the roof and we bought an energy-efficient fire."

MatriX | 1050/500 |

Also available on propane or biopropane



B

Conversations

between brother and sister

"Children live in a wonderfully natural and uninhibited world. They create their own reality. We agreed to turn off the telly in the evening. Just a bit of time together, enjoying my little ones around the 'camp fire'."

MatriX | 1050/500 II

Also available on propane or biopropane



B

Daddy knows so much

“Daddy evening is what he calls it. Every Friday evening. In the back garden in summer and in winter the two of us in front of the fire. We enjoy ‘construction projects’ together. Sometimes it’s Lego, sometimes it’s a construction kit. He’s growing up and the questions are becoming more difficult. To me he’ll always be my little boy.”

MatriX | 1050/500 III

Also available on propane or biopropane



B

Matrix | 1050/650 I

Also available on propane or biopropane



B

MatriX | 1050/650 II

Also available on propane or biopropane



B

Matrix | 1050/650 III

Also available on propane or biopropane

B





The heart of every Faber fire

The burner

The familiar and loved fire effect of our gas fires starts with our burners. It's a Faber speciality, based on years of in-house development and experience, with lots of patents as a result. Together with the decorations, such as a log set, the burner determines the 'character' of the fire you look at; broadly spread in the fire, or in the middle, stretched out or vertical, more dynamic or really calm. It's a matter of taste! To help you determine your preference, we tell you a little about the characteristics and the differences.

Faber Log Burner® 2.0

The pure experience of a camp fire



The Log Burner® 2.0 brings memories of a flickering camp fire to life in a fabulously realistic way; with standing logs in the middle, surrounded by lying blocks. You can choose to have the fire burn just in the middle, or all around too. The MatriX RD and ST have large, lying logs, where the flames can curl up on the outside or around the logs. The fire starts up in just a few seconds and the height of the flames can be set with accuracy. The ash bed is lit from below with glowing embers lighting; Faber Symbio®, see page 50. It makes the fire look full and rich, with a warm glow, even when the flames are set low. The glowing embers can also be switched on separately, like the last glowing embers of a fire. The main functions are easy to operate with the supplied remote control. Additional functions are available with the Faber ITC app, via your smartphone or tablet; see page 50.



Faber Double Line Burner

Wide, stretched out and calm



The fire of the Double Line Burner burns with regular and particularly full flames across the entire width of the fire. You can have the fire burn just at the front (single row) or at the back too (double row), for a full fire effect and extra heat. The fire starts up in just a few seconds and the height of the flames can be set with accuracy. For decoration there is a choice of beautiful, horizontal logs on a realistic bed of ash, a bed of stylish grey split stones or white Carrara pebbles. The main functions are easy to operate with the remote control that is supplied as standard. Additional functions are available with the Faber ITC app, on your smartphone or tablet; see page 50. The Faber Double Line Burner is exclusively for the models MatriX Linear Fires 800/400, 1050/400 and 1300/400.



Glowing embers lighting

The atmosphere of red-glowing charcoal



For those who would like to do even more justice to the sense of glowing coals in a gas fire, or who would like to enjoy the embers of a glowing fire, Faber developed the 'Symbio®' light module. Symbio® sends pulsating, heat-free light to the coal bed above, making it glow a warm red. The light of the Symbio® module creates a warm atmosphere, particularly when the flames of the fire are turned down low, and even when the warm flames are completely switched off. The LED technology makes this module low in energy and completely free of heat. It is easy to operate this option with the remote control of the fire or with the Faber ITC-app. Symbio® is supplied for the MatriX series (gas) and the Faber Vejen.



The Faber ITC app

get more from your Faber fire



Faber ITC (Intelligent Technical Control) is a smart way of operating your Faber fires with your smartphone or tablet. Besides the standard operating functions, the Faber ITC has a number of additional options to improve the enjoyment and convenience of use and to control energy consumption. Follow your dreams with the pre-programmed 'relaxed mood' setting or set the room temperature or operating period from your phone or tablet. Make sure the fire turns off automatically when nobody is around for a period of time or when the window is open. Finally, the Faber ITC tracks the usage history and service needs and informs the app as soon as maintenance is required. This information helps the Faber specialist to carry out maintenance more efficiently.



Inset depth

Flexible application

When you inset a Faber fire from the e-MatriX or MatriX series, you have a choice of having the fire and frame inset, or to have the glass of the fire flush with the material of the surround.

Every Faber e-MatriX or MatriX fire is supplied standard with a black steel frame of 50 millimetres that is easy to remove by the Faber specialist.

No natural gas connection,

but you'd love a gas fire? No problem!



You no longer have a permanent gas connection or you'd rather not be dependent on one, but you'd still like a gas fire in your home? Sure! All Faber gas fires are suitable immediately for use on propane gas or biopropane gas.

The gas does not come via the gas pipe to the gas fire, but through smartly connected gas bottles. You can enjoy the warmth and atmosphere of the gas fire of your dreams, even without a natural-gas connection. If you would like to find out more about the options of propane or biopropane, please take a look at the Faber website on faber-fires.eu or ask the Faber specialist about the options.

MatriX Linear Fires

The new Linear Fire models offer a lavish fire effect over the full width of the fire and that is true for every flame height. Even with a minimum heat output, the flames of this model look fabulous. There is a choice of three inset widths, four inset versions and various interior decorations. For a fire that suits you.

For more information, please take a look at the website www.faber-fires.eu

	Page	DIMENSIONS		BURNER	DECORATION		
		Exterior dimensions WxHxD in mm	Fire display WxHxD in mm	Double line burner®	Logs	Grey split stones	White Carrara pebbles
MatriX 800/400 I	10	933 x 811 x 452	800 x 400	●	●	Optional	Optional
MatriX 800/400 II	10	987 x 811 x 452	835 x 400 x 257	●	●	Optional	Optional
MatriX 800/400 III	10	1040 x 811 x 452	872 x 400 x 257	●	●	Optional	Optional
MatriX 1050/400 I	12	1183 x 811 x 452	1050 x 400	●	●	Optional	Optional
MatriX 1050/400 II	12	1237 x 811 x 452	1085 x 400 x 257	●	●	Optional	Optional
MatriX 1050/400 III	12	1290 x 811 x 452	1122 x 400 x 257	●	●	Optional	Optional
MatriX 1300/400 I	14	1433 x 811 x 452	1300 x 400	●	●	Optional	Optional
MatriX 1300/400 II	14	1487 x 811 x 452	1335 x 400 x 257	●	●	Optional	Optional
MatriX 1300/400 III	14	1540 x 811 x 452	1372 x 400 x 257	●	●	Optional	Optional

INTERIOR		GLASS	CONTROLLER		Minimum heat output*	Nominal heat output*	Energy label
Back wall smooth steel	Back wall black mirror	Anti-reflective glass	Remote control	ITC module			
●	Optional	Optional	●	●	2.5 kW	7.1 kW	B
●	Optional	Optional	●	●	2.5 kW	7.1 kW	B
●	Optional	Optional	●	●	3.0 kW	8.7 kW	A
●	Optional	Optional	●	●	3.0 kW	8.7 kW	A
●	Optional	Optional	●	●	3.0 kW	8.7 kW	A
●	Optional	Optional	●	●	3.2 kW	10.5 kW	B
●	Optional	Optional	●	●	3.2 kW	10.5 kW	B
●	Optional	Optional	●	●	3.2 kW	10.5 kW	B

It is not possible to derive any rights from the listed values. Fires on biopropane or propane have a lower flame height.

*Efficiency, capacity, energy-efficiency index and energy-efficiency class on the basis of gas type G20.

The options per fire produce an additional cost.

MatriX fires

These MatriX models can be recognised by the camp fire look of the logs or their tough horizontal logs (model RD/ST). A fire in the middle and all around too? The fire effect of our MatriX fires is incredibly realistic at any flame height. The choice of inset dimensions, versions or finishes meets the most wide-ranging living requirements.

For more information, please take a look at the website www.faber-fires.eu

	Page	DIMENSIONS		BURNER	DECORATION		
		Exterior dimensions WxHxD in mm	View of the fire WxHxD in mm	Log Burner® 2.0	Logs	Log set with large logs	Glowing em- bers lighting
MatriX 450/500 III	16	690 x 918 x 502	522 x 500 x 308	●	●		Optional
MatriX 450/650 III	18	690 x 1068 x 502	522 x 650 x 308	●	●		Optional
MatriX 800/500 I	20	934 x 918 x 547	800 x 500	●	●		Optional
MatriX 800/500 II	22	987 x 918 x 552	835 x 500 x 358	●	●		Optional
MatriX 800/500 III	24	1040 x 918 x 552	872 x 500 x 358	●	●		Optional
MatriX 800/500 RD	26	1329 x 1015 x 592	400 x 500 x 840	●		●	Optional
MatriX 800/500 ST	28	1267 x 1015 x 592	800 x 500	●		●	Optional
MatriX 800/650 I	30	934 x 1068 x 547	800 x 650	●	●		Optional
MatriX 800/650 II	32	987 x 1068 x 552	835 x 650 x 358	●	●		Optional
MatriX 800/650 III	34	1040 x 1068 x 552	872 x 650 x 358	●	●		Optional
MatriX 1050/500 I	36	1184 x 911 x 547	1050 x 500	●	●		Optional
MatriX 1050/500 II	38	1237 x 918 x 552	1085 x 500 x 358	●	●		Optional
MatriX 1050/500 III	40	1290 x 918 x 552	1122 x 500 x 358	●	●		Optional
MatriX 1050/650 I	42	1188 x 1069 x 585	1050 x 650	●	●		Optional
MatriX 1050/650 II	44	1240 x 1069 x 585	1085 x 650 x 358	●	●		Optional
MatriX 1050/650 III	46	1293 x 1069 x 585	1122 x 650 x 358	●	●		Optional

INTERIOR		GLASS	CONTROLLER		Minimum heat output*	Nominal heat output*	Energy label
Back wall smooth steel	Back wall black mirror	Anti-reflective glass	Remote control	ITC module			
●	Optional	Optional	●	Optional	3.2 kW	6.8 kW	A
●	Optional	Optional	●	Optional	3.2 kW	6.8 kW	A
●	Optional	Optional	●	●	4.1 kW	8.1 kW	B
●	Optional	Optional	●	●	4.1 kW	8.1 kW	B
●	Optional	Optional	●	●	4.1 kW	8.1 kW	B
●	Optional	Optional	●	●	3.5 kW	10.5 kW	B
●	Optional	Optional	●	●	3.5 kW	10.5 kW	B
●	Optional	Optional	●	●	4.3 kW	10.0 kW	B
●	Optional	Optional	●	●	4.3 kW	10.0 kW	B
●	Optional	Optional	●	●	4.1 kW	8.1 kW	B
●	Optional	Optional	●	●	4.1 kW	8.1 kW	B
●	Optional	Optional	●	●	4.1 kW	8.1 kW	B
●	Optional	Optional	●	●	4.3 kW	10.0 kW	B
●	Optional	Optional	●	●	4.3 kW	10.0 kW	B
●	Optional	Optional	●	●	4.3 kW	10.0 kW	B

It is not possible to derive any rights from the listed values. Fires on biopropane or propane have a lower flame height.

*Efficiency, capacity, energy-efficiency index and energy-efficiency class on the basis of gas type G20.

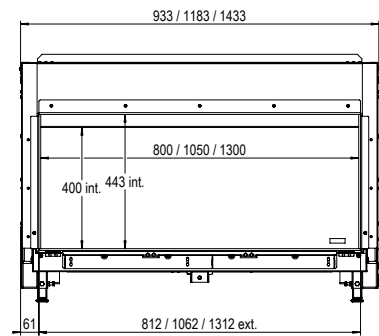
The options per fire produce an additional cost.

Line drawings

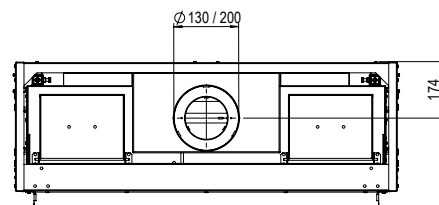
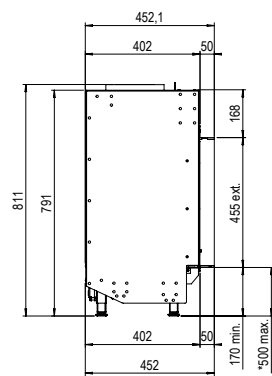
MatriX Linear Fire | Front

800/400, 1050/400, 1300/400

Page 10, 12, 14



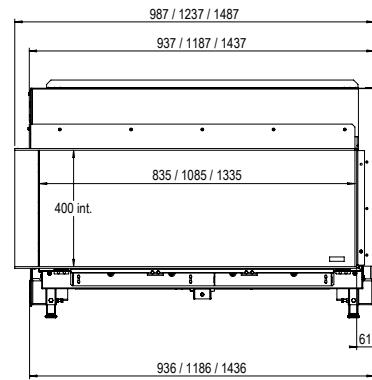
* incl. optional adjustable feet



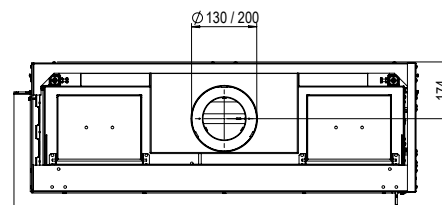
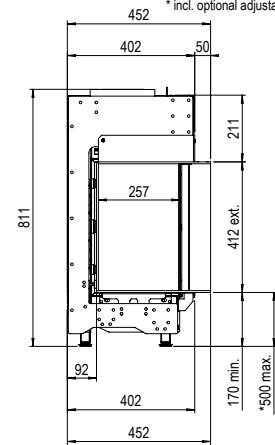
MatriX Linear Fire | Two-sided

800/400, 1050/400, 1300/400

Page 10, 12, 14



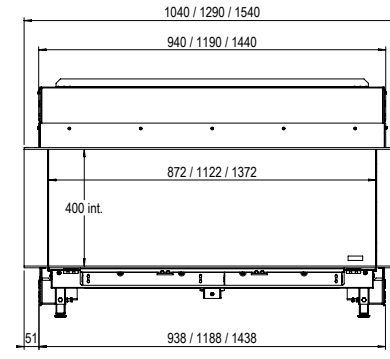
* incl. optional adjustable feet



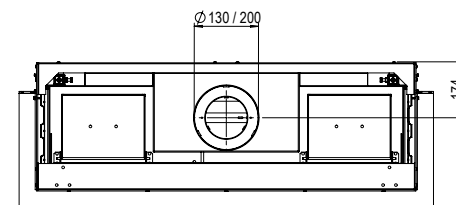
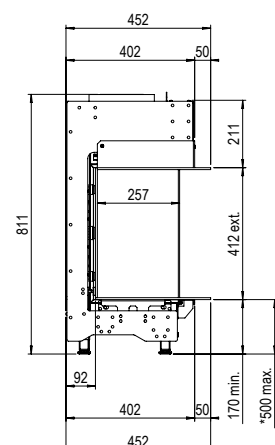
MatriX Linear Fire | Three-sided

800/400, 1050/400, 1300/400

Page 10, 12, 14

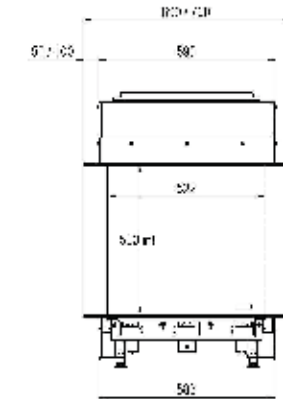


* incl. optional adjustable feet

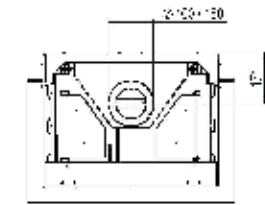
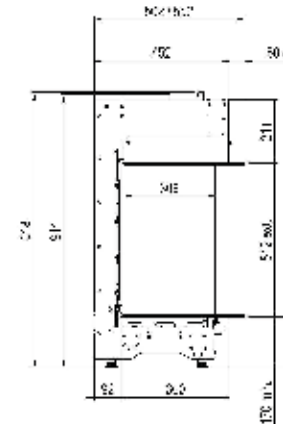


MatriX | 450/500 III

Page 16

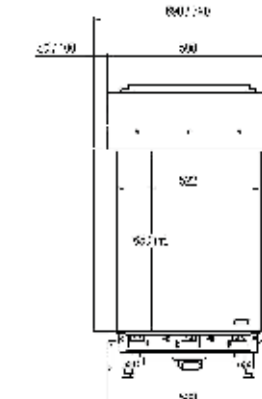


* incl. optional adjustable feet

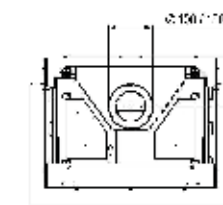
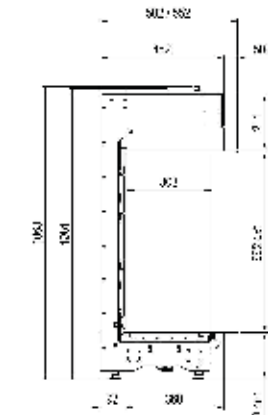


MatriX | 450/650 III

Page 18



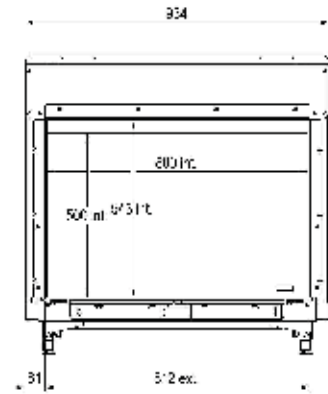
* incl. optional adjustable feet



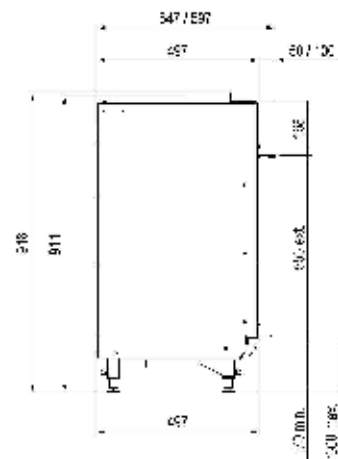
Line drawings

Matrix | 800/500 I

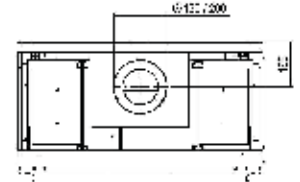
Page 20



*Incl. optional adjustable feet

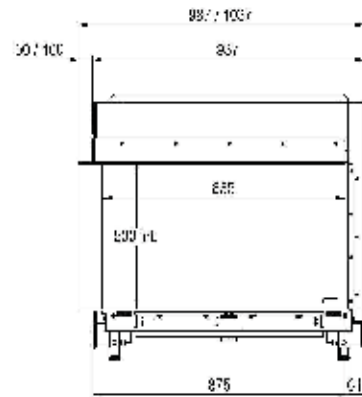


*Incl. optional adjustable feet

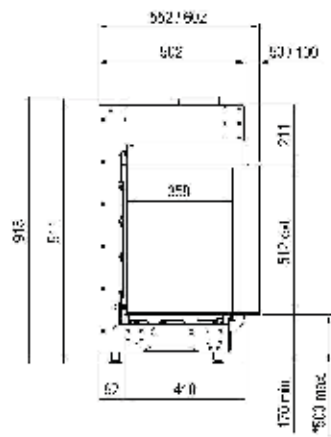


Matrix | 800/500 II

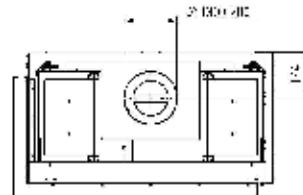
Page 22



*Incl. optional adjustable feet

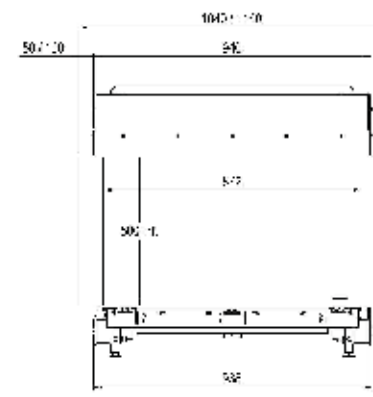


*Incl. optional adjustable feet

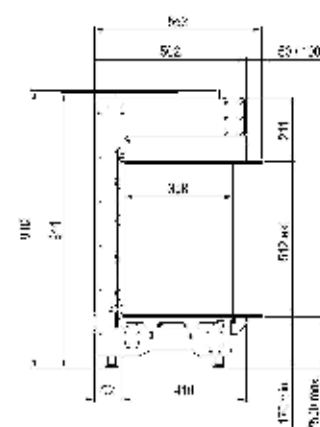


Matrix | 800/500 III

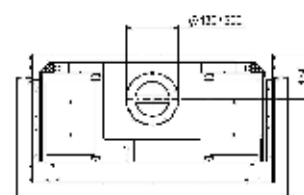
Page 24



*Incl. optional adjustable feet

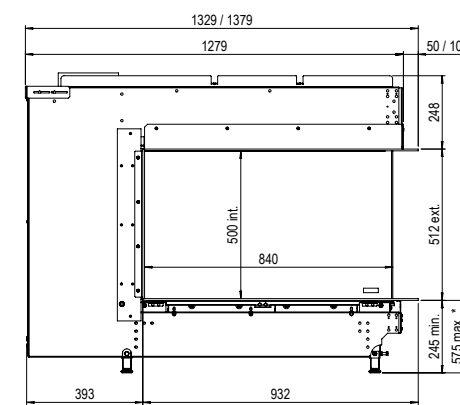


*Incl. optional adjustable feet

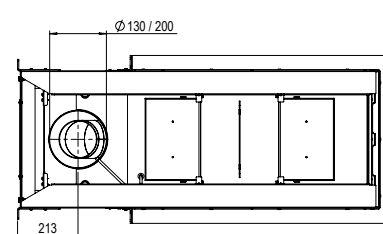
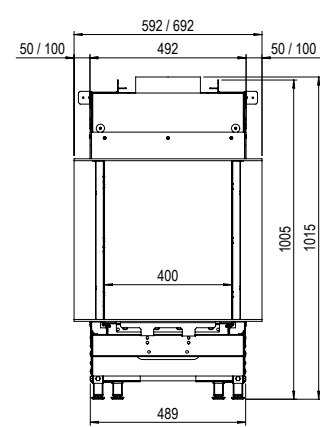


Matrix | 800/500 RD

Page 26

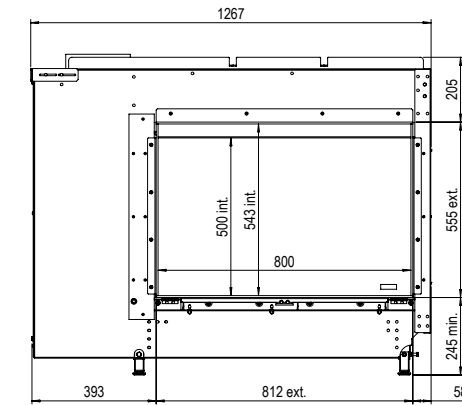


*Incl. optional adjustable feet

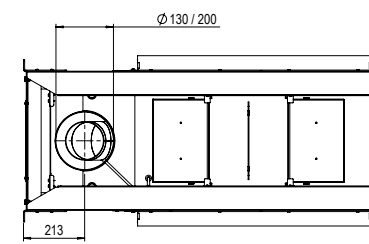
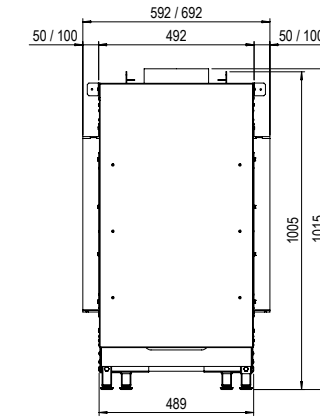


Matrix | 800/500 ST

Page 28



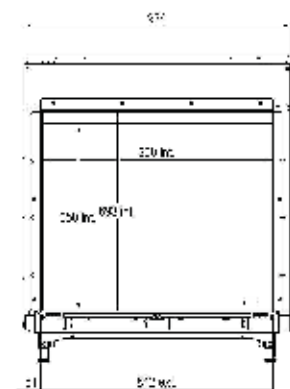
*Incl. optional adjustable feet



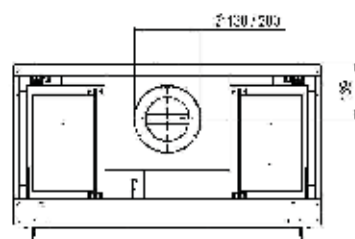
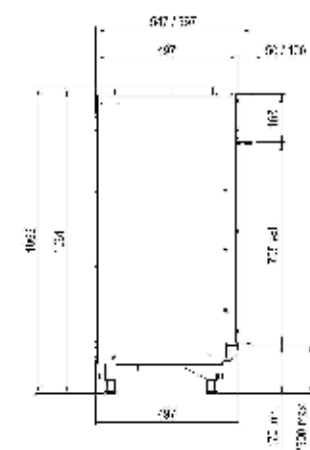
Line drawings

MatriX | 800/650 I

Page 30

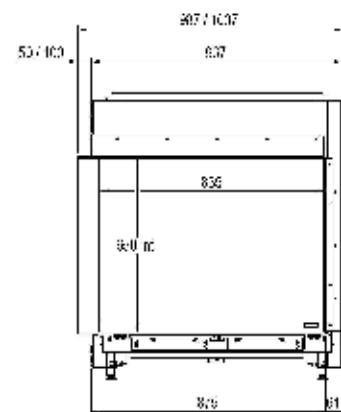


*Inc. optional adjustable feet

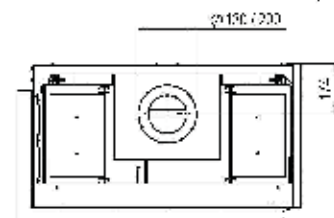
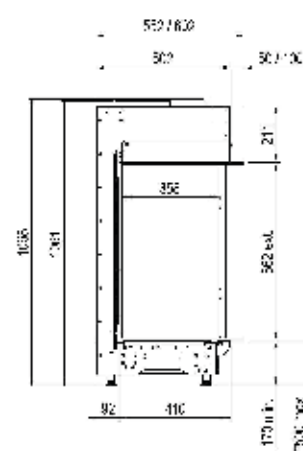


MatriX | 800/650 II

Page 32

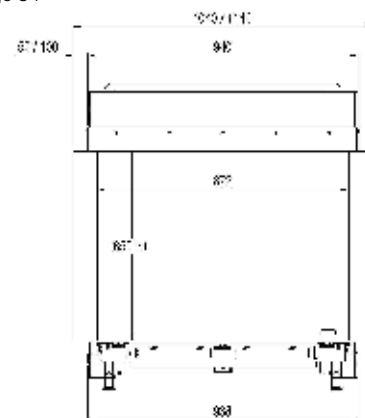


*Inc. optional adjustable feet

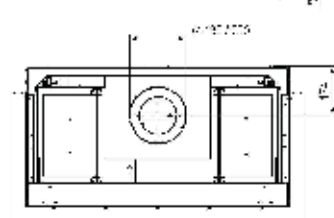
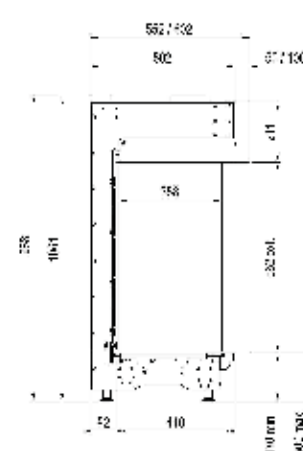


MatriX | 800/650 III

Page 34

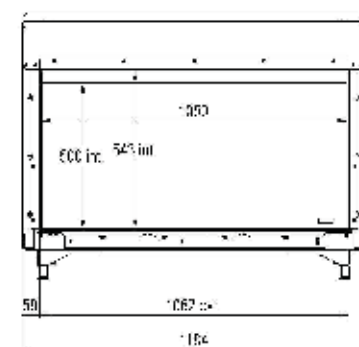


*Inc. optional adjustable feet

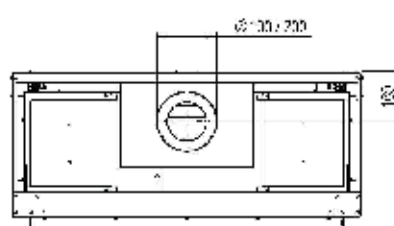
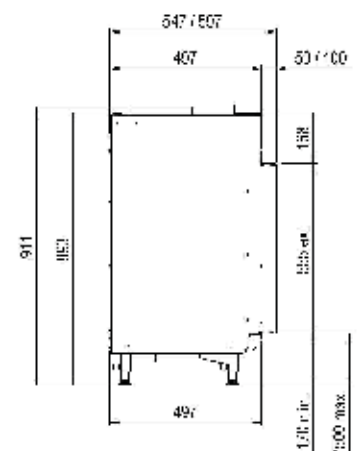


MatriX | 1050/500 I

Page 36

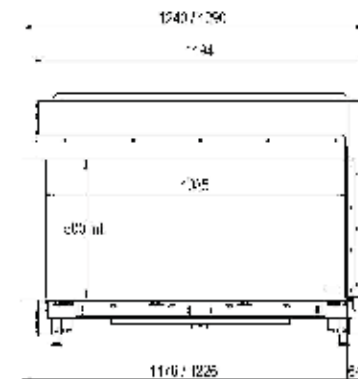


*Inc. optional adjustable feet

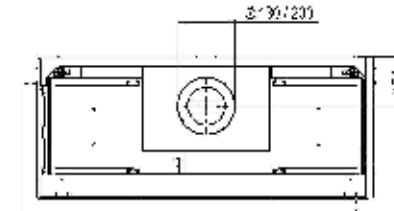
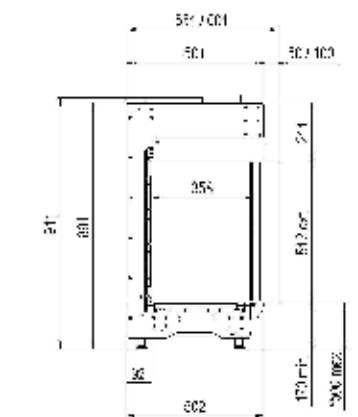


MatriX | 1050/500 II

Page 38

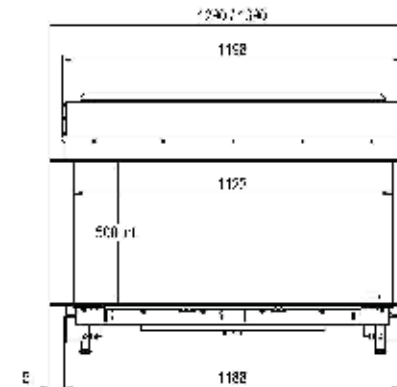


*Inc. optional adjustable feet

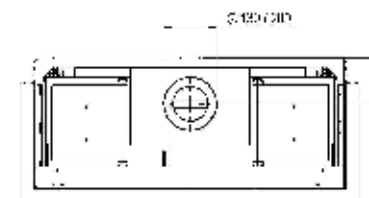
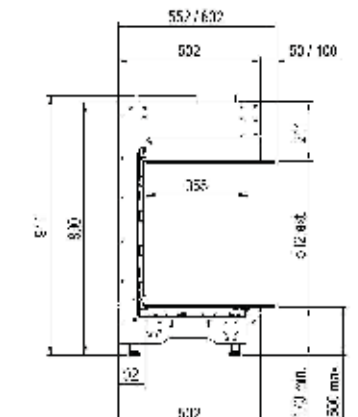


MatriX | 1050/500 III

Page 40



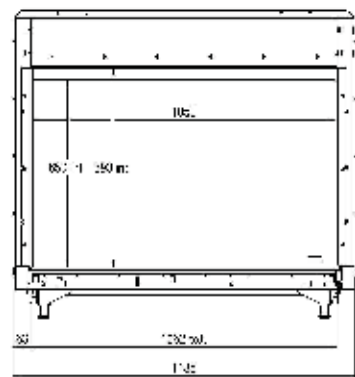
*Inc. optional adjustable feet



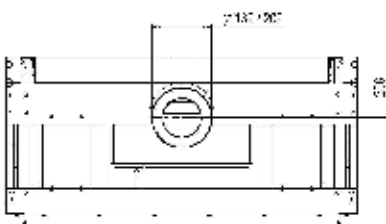
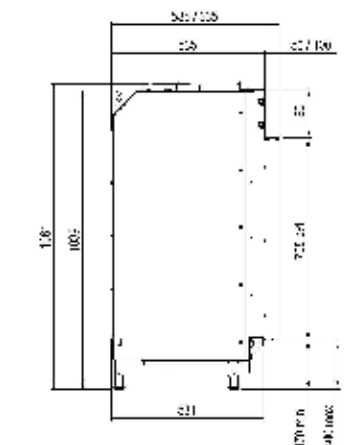
Line drawings

MatriX | 1050/650 I

Page 42

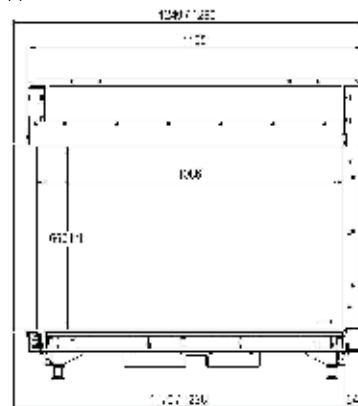


* incl. optional adjustable feet

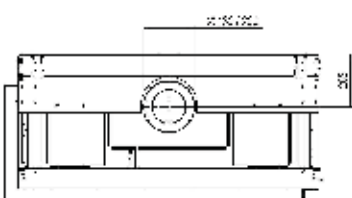
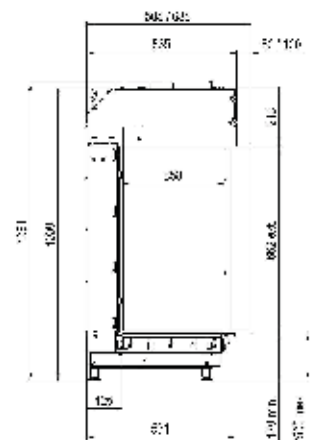


MatriX | 1050/650 II

Page 44

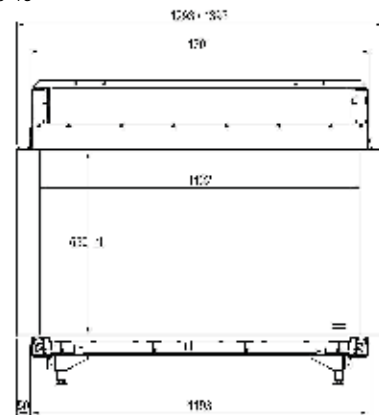


* incl. optional adjustable feet

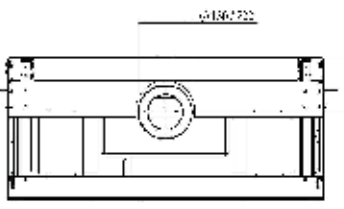
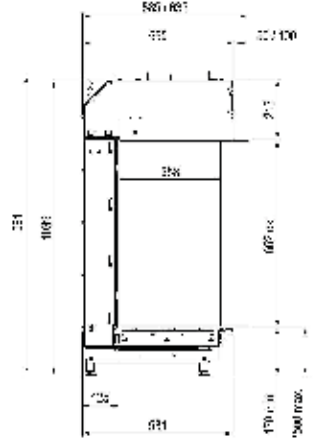


MatriX | 1050/650 III

Page 46



* incl. optional adjustable feet



Draw a dream fire

in your own home

Measurements provide knowledge!

Would you like to know the exact dimensions of our inset fires and stoves? Our dimensions drawings are in this brochure or on our website www.faber-fires.eu.

You can also find our fires in the design programmes 'SketchUp' or PalettedCad.

Convenient when you want to draw on your own inspiration!
<https://www.sketchup.com/> and
https://www.palettedcad.com/en/home_2

The Faber dealer, who can be found on www.faber-fires.eu, will help you to realise your design.

Other Faber collections:



e-Matrix serie - electric fires



Free standing - gas fires



Gas built in - gas fires



Outdoor - gas fires

Your dealer:

Disclaimer

We have produced this publication with the greatest possible care. However the information, including drawings, in this publication may be represented incorrectly, it may have changed or been supplemented. This publication is subject to change. Glen Dimplex Consumer Appliances Europe is not responsible for the consequences of actions, decisions or results that are solely based on the information in this publication. We emphasise that the correct installation and safe operation should be in accordance with the applicable rules and regulations, the manual, and the expertise and advice of an expert. The photos in this publication only represent examples of possible configurations. Whilst stocks last. Our terms and conditions of delivery are available upon request.

faber

Saturnus 8, NL-8448 CC Heerenveen
PO Box 219, NL-8440 AE Heerenveen

t +31 513 656 500
e info@faber-fires.eu

faber-fires.eu

@faberhaarden



FaberInternational



Proud brand of

GlenDimplex
CONSUMER APPLIANCES EUROPE
EU FLAME





Around a fire

Stories just keep coming

Together around the fire, familiar, comfortable. A good glass of wine, some nice music, the warmth around you, the light of the dancing flames. The stories come automatically. About what happened to you during the day, developments at work, news from friends and family. The stories from your past and your big dreams for the future. Things you don't usually share with others but that come so easy now, enveloped by warmth and trust. That's what a fire does to a person! Traditionally, fires were lit to keep the outside world at a distance. It's why a fire creates an atmosphere of intimacy and contact, where you listen to each other's stories.

A fire connects

Around a fire you share your holiday experiences with your friends, you tell your children a bedtime story, and you share your most intimate feelings with your loved one.

A look is all you need, and together you enjoy peaceful silence, gazing at the flames, because you don't need words to understand each other. The fire of love, where better than in front of an open fire? That is where you experience your most beautiful moments and when you take time for each other. That is where you share your stories, full of passion and full of fire!

There is **so much to tell...**



Faber means **175 years of quality**

The connective and soothing effect of an open fire is our passion. We are always looking for the best and most beautiful solutions, because we want our connoisseurs to enjoy an astonishing flame effect.

We strive for the same warmth and urge for quality in our contact with those around us. Our fires have been developed and produced in the Netherlands for devotees all over the world for more than 175 years. Today, Faber is part of the Irish family business Glen Dimplex, market leader in top-quality ambient electric fires. A strong and trusted combination, with a pure origin!

In the vanguard of the fire of the future

Faber's 'fire makers' are driven to produce the most beautiful ambient fires. Rooted in log fires, leading in gas fires and in the vanguard of fires with new fuels, such as biopropane, propane and water mist. With pure craftsmanship, knowledge and advanced technology, Faber is responsible for discoveries and patents that have become standard in the world of fires today. Our latest series of fires, the 'e-MatriX', uses water and electricity and is equally innovative. In short, 'making' ambient fires is part of Faber's DNA, and our pride and passion!

Your Faber fire built especially for you

If you choose a Faber, we build, adjust the settings and check the fire specifically for you. You can be certain that you have a characteristic Faber fire effect and a fire that operates perfectly and safely.



Outdoor

Long summer evenings around a fire

You want to make as much use as you can of your beautiful garden or wonderful patio. Coffee with friends on a cool spring day, a garden party on a long summer evening, or a wonderful book on a lazy late-summer afternoon. An outdoor fire creates more atmosphere, produces comfortable radiating warmth so you can stay out much longer.

Faber outdoor fires enrich any patio or garden. First of all with the characteristic, lively Faber flames that you can see from all sides through the large glass surface. Flames that are designed with Faber's craftsmanship and quality, appreciated so much by those who love our inset fires. The designs speak of considered simplicity and class, never dominate, but are there to be admired at any time.

Faber outdoor fires work on gas and have automatic ignition, so operation requires little attention and the fires work without any hint of a smell. With the optional gas socket, you can also connect the fire to a permanent gas connection, making the fire even easier to use.

That is how you get more from your garden or patio with a Faber outdoor fire!

theBUZZ

Also available in Corten steel.

Designed by

Kees Jaccels



theMOOD

Also available as ST (see-through)



theTUBE

Designed by

Kees Jansz



Outdoor fires

		DIMENSIONS		DECORATION		VERSION	
	Page	Exterior dimensions WxHxD in mm	Fire display WxHxD in mm	Logs	Carrara pebbles	Black	Corten steel
theBUZZ black	8	612 x 1388 x 620	456 x 481 x 447	●		●	
theBUZZ corten	8	612 x 1388 x 620	456 x 481 x 447	●			●
theMOOD	10	1260 x 738 x 311	1112 x 305	●	Optional		●
theMOOD ST	10	1260 x 738 x 311	1112 x 305	●	Optional		●
theTUBE	12	522 x 1458 x 522	329 x 484 x 422			●	

The options per fire produce an additional cost.

For more information, please take a look at the website www.faber-fires.eu

You would like your Faber outdoor fire on natural gas, propane or biopropane? No problem!

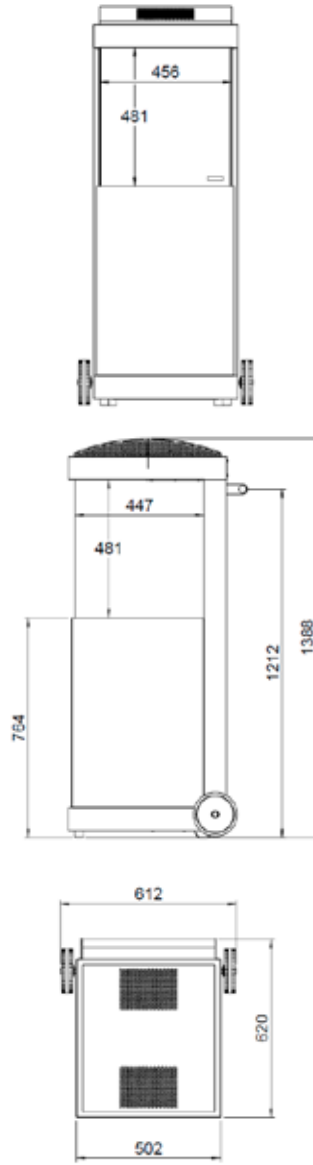
All Faber outdoor fires burn on natural gas and on propane. Your fire can be fitted with an outdoor gas connection, so you can connect it to a permanent gas pipe. It means a gas bottle is no longer necessary, and that is even more convenient!

Faber outdoor fires are also suitable for environmentally friendly propane or biopropane. If you would like to find out more about the options of propane or biopropane, please take a look at our website.

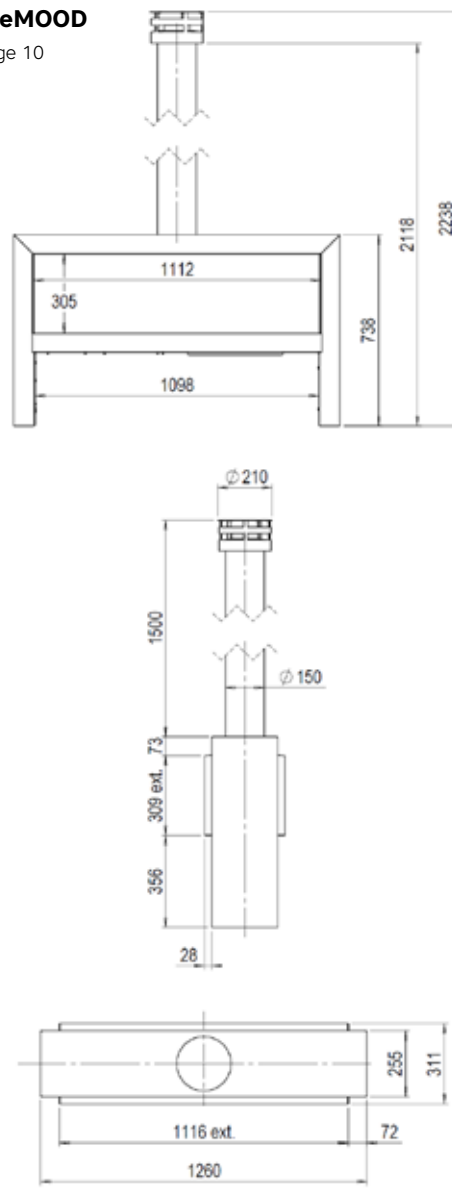


Line drawings

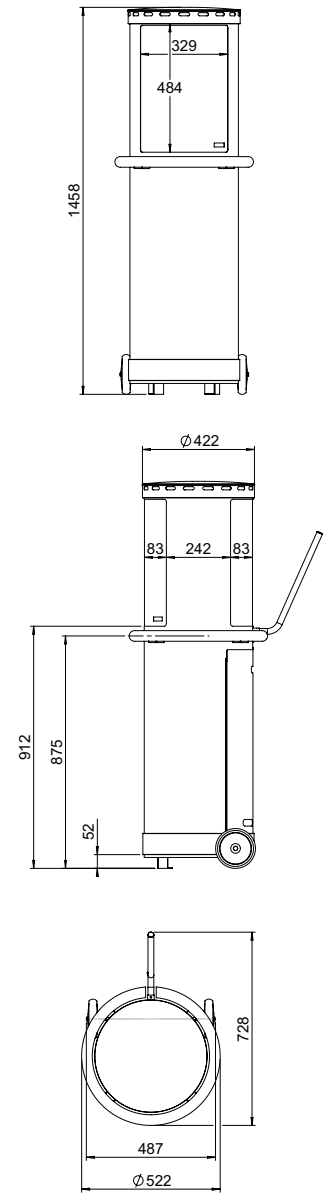
theBUZZ
Page 8



theMOOD
Page 10



theTUBE
Page 12





Draw a dream fire

in your own home

Measurements provide knowledge!

Would you like to know the exact dimensions of our inset fires and stoves? Our dimensions drawings are in this brochure or on our website www.faber-fires.eu.

You can also find our fires in the design programmes 'SketchUp' or PaletteCad.

Convenient when you want to draw on your own inspiration!
<https://www.sketchup.com/> and
https://www.palettecad.com/en/home_2

The Faber dealer, who can be found on www.faber-fires.eu, will help you to realise your design.

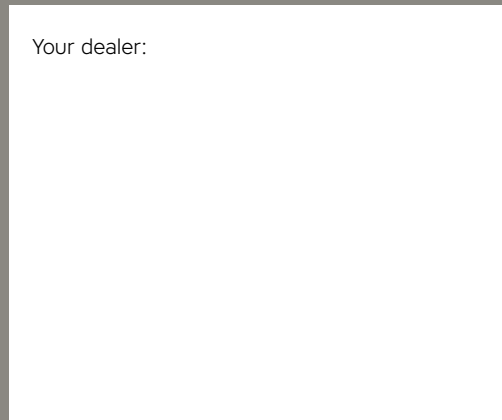
Other Faber collections:



Matrix serie - gas fires



e-Matrix serie - electric fires



Free standing - gas fires



Gas built in - gas fires

Disclaimer
 We have produced this publication with the greatest possible care. However the information, including drawings, in this publication may be represented incorrectly, it may have changed or been supplemented. This publication is subject to change. Glen Dimplex Consumer Appliances Europe is not responsible for the consequences of actions, decisions or results that are solely based on the information in this publication. We emphasise that the correct installation and safe operation should be in accordance with the applicable rules and regulations, the manual, and the expertise and advice of an expert. The photos in this publication only represent examples of possible configurations. Whilst stocks last. Our terms and conditions of delivery are available upon request.



Saturnus 8, NL-8448 CC Heerenveen
 PO Box 219, NL-8440 AE Heerenveen

t +31 513 656 500
 e info@faber-fires.eu

faber-fires.eu

@faberhaarden



FaberInternational



Proud brand of





e-MatriX

 **faber**

e-MatriX serie | 2019/2020 



Around a fire

Stories just keep coming

Together around the fire, familiar, comfortable. A good glass of wine, some nice music, the warmth around you, the light of the dancing flames. The stories come automatically. About what happened to you during the day, developments at work, news from friends and family. The stories from your past and your big dreams for the future. Things you don't usually share with others but that come so easy now, enveloped by warmth and trust. That's what a fire does to a person! Traditionally, fires were lit to keep the outside world at a distance. It's why a fire creates an atmosphere of intimacy and contact, where you listen to each other's stories.

A fire connects

Around a fire you share your holiday experiences with your friends, you tell your children a bedtime story, and you share your most intimate feelings with your loved one.

A look is all you need, and together you enjoy peaceful silence, gazing at the flames, because you don't need words to understand each other. The fire of love, where better than in front of an open fire? That is where you experience your most beautiful moments and when you take time for each other. That is where you share your stories, full of passion and full of fire!

There is **so much to tell...**



Faber means **175 years of quality**

The connective and soothing effect of an open fire is our passion. We are always looking for the best and most beautiful solutions, because we want our connoisseurs to enjoy an astonishing flame effect.

We strive for the same warmth and urge for quality in our contact with those around us. Our fires have been developed and produced in the Netherlands for devotees all over the world for more than 175 years. Today, Faber is part of the Irish family business Glen Dimplex, market leader in top-quality ambient electric fires. A strong and trusted combination, with a pure origin!

In the vanguard of the fire of the future

Faber's 'fire makers' are driven to produce the most beautiful ambient fires. Rooted in log fires, leading in gas fires and in the vanguard of fires with new fuels, such as biopropane, propane and water mist. With pure craftsmanship, knowledge and advanced technology, Faber is responsible for discoveries and patents that have become standard in the world of fires today. Our latest series of fires, the 'e-Matrix', uses water and electricity and is equally innovative. In short, 'making' ambient fires is part of Faber's DNA, and our pride and passion!

Your Faber fire built especially for you

If you choose a Faber, we build, adjust the settings and check the fire specifically for you. You can be certain that you have a characteristic Faber fire effect and a fire that operates perfectly and safely.



e-Matrix - **astounding fire... from water**

Modern houses generally need very little additional heat. A log fire is often not an option or unwanted. Building without gas is a current topic. We increasingly live in urban areas, where flue gases cannot always be discharged. The unique properties of the Faber e-Matrix make it possible to enrich your home with a splendid fire!

The fire experience is down to a combination of rising cold-water mist and special LED lights. You can even hear the crackling sound of a fire. Always different, fascinating and convincing... Just what you expect from a real log fire, but without the traditional restrictions and limitations!

Inspirational and 'future-proof'

The e-Matrix does not produce heat, which means it has zero impact on heating and climate-control systems. You don't need a gas connection, a flue-gas pipe or heat-resistant insulation. Emissions are nil too. Building regulations for using a gas or log fire do not apply, making it much easier to inset than gas or log fires and it creates room for ground-breaking design. These fires can be incorporated pretty much anywhere at all! What about the energy consumption? Minimal! Without the optional heat function, the energy consumption of the e-Matrix is comparable to ordinary room lighting. The tap-water consumption remains limited to just a few litres per 24 hours when in use.

A pleasant and healthy climate

The water mist that is produced contributes to healthy humidity in your home. As the glass window is not hot, the e-Matrix is safe to touch. The e-Matrix can be finished with a small, silent heating unit for a comfortable warm glow.



Faber e-MatriX series

for a fire that suits you

The e-MatriX series offers the best of Faber. As the name 'MatriX' suggests, there is maximum freedom of choice to create the fire that fits your personal taste and interior décor. At the same time, you can count on the best quality that Faber has to offer. For fans of open fires who want to add maximum value to their interior décor and living environment.

Create your own fire

The e-MatriX series is 'modular' in composition, so you have step-by-step options for dimensions, the numbers of sides to experience the fire, the decoration, the finish and more.

The Faber specialist is there for you throughout the entire process!

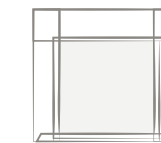
Did you find your favourite Faber fire? It will be built, set and tested by Faber, specifically for you, before we deliver it to the Faber specialist who will install it in your home.



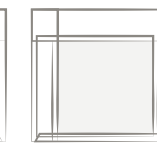
A Faber e-MatriX fire you create yourself

Whatever your preference may be, you always have our enchanting, patented fire effect; fire that fuels the stories people tell each other. Our modular program consists of several models, formats and decoration options.

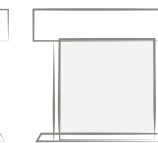
Model options



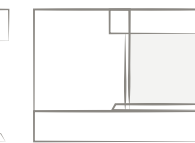
Front model



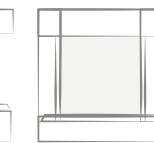
Two-sided model



Three-sided model



Room divider



See-through model

Decoration option



Log set



Large log set

Heat option

If you'd like some extra heat from the fire, there is an optional small, silent heating unit for the e-MatriX. When you wish, comfortable heat flows to you through the glass. A sensation that makes the experience even more complete.



A Faber e-MatriX fire suits any interior

Interior-design trends

Faber tracks the current interior design trends and developments in detail. This is reflected in our photography and the current trend information in this brochure. It shows how a Faber fire fits in your modern, classic or bohemian interior.

The Faber specialist will be pleased to assist!

Are you considering enriching your home with a Faber fire? Would you like an inspirational design that suits all your wishes and requirements? Faber has a network of selected fire specialists who are here to help. Committed and experienced enthusiasts who are familiar with the possibilities of Faber fires, and who have various Faber models on display. They are keen to advise and like to consider how you can translate your personal wishes into an appealing and attractive interior design. They also deal with professional installation. Check the Faber website for a Faber specialist near you.

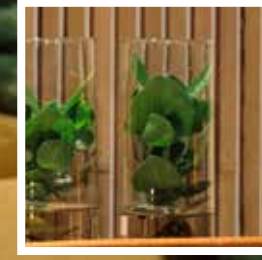
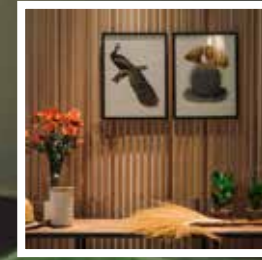
Interior-décor style

Vital Vibe

This contemporary, urban style brings outdoor life into the home, with natural wood, graphical minimalism and an abundance of greenery. An environmentally aware and relaxed way of life where you feel at home straight away.

e-MatriX | 800/500 |

Also available on gas, propane and biopropane



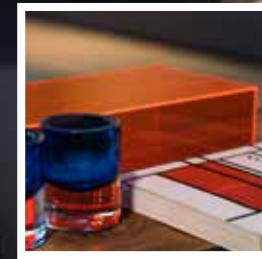
Interior-décor style

Sassy Style

This style refers to the 1950s with its classy, rich emotion in graphical shapes, velvety furnishings and bright colours. The decoration is vintage or bohemian and creates a free-spirited sensation.

e-MatriX | 800/500 II

Also available on gas, propane and biopropane



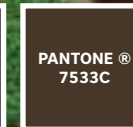
Interior-décor style

Colonial Chic

This orientally influenced theme intrigues the eye with different woods, water plant prints and tropical furniture. An attractive, mystical oasis for the discerning mind.

e-MatriX | 800/500 III

Also available on gas, propane and biopropane



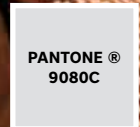
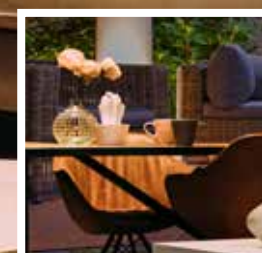
Interior-décor style

Delicate Desire

This contemporary style is characteristically modern with pure lines and geometric shapes. Lots of light, with pastel colours, warm and light fabrics, and a feel for nature.

e-MatriX | 800/500 RD

Also available on gas, propane and biopropane



Interior-décor style

Delicate Desire

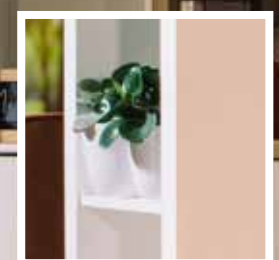
This contemporary style is characteristically modern with pure lines and geometric shapes. Lots of light, with pastel colours, warm and light fabrics, and a feel for nature.

e-MatriX | 800/500 ST

Also available on gas, propane and biopropane



- PANTONE® 9262C
- PANTONE® 9080C
- PANTONE® 2373C
- PANTONE® 7542C
- PANTONE® 7518C
- PANTONE® 422C



Safe harbour

"As a doctor I travel the world. When I return home after a longer period of time, I'm struck by the stark differences. Their standard of living is in shrill contrast to our material world. At home in front of the fire I can reconnect with myself."

e-MatriX | 800/650 |

Also available on gas, propane and biopropane



e-MatriX | 800/650 II

Also available on gas, propane and biopropane



Working from home

"We were forced to make a major change to our lives. So we jumped in at the deep end and started an online shop. We turned our passion into our job. Our living room now doubles up as our office.

Sometimes we switch off our computers on purpose. A little quality time in front of the fire."

e-MatriX | 800/650 III

Also available on gas, propane and biopropane





e-Matrix Burner

A complete flame effect



The astonishing flame effect is down to a combination of rising cold-water mist and special LED lights. The result is a playful, three-dimensional fire effect that moves up from the softly glowing ash bed between the logs to the top of the fire. The ash bed itself radiates a warm red glow because of a glow module that works on low-energy LEDs. You can even hear the sound of a crackling fire. An ultra-thin flexible water hose and a regular socket are enough for the connection.

Additional heating unit - wonderful heat in front of the fire

Are you sitting near the fire and you'd like to feel the radiating warmth? There is an optional compact, silent heating unit for the e-Matrix that is incorporated invisibly in the fireplace. When you want, a warm air flow comes your way through the glass. A sensation that makes the experience even more complete. This additional heating unit has a capacity of maximum 2 kW and a thermostat function. The operation is integrated into the remote control.

e-MatriX fires

	Page	DIMENSIONS		BURNER	DECORATION		
		Exterior dimensions WxHxD in mm*	Fire display WxHxD in mm	e-MatriX burner	Logs	Log set with large logs	Glowing em- bers lighting
e-MatriX 800/500 I	12	891 x 790 x 517	800 x 500	●	●		●
e-MatriX 800/500 II	14	934 x 790 x 517	822 x 500 x 351	●	●		●
e-MatriX 800/500 III	16	995 x 790 x 516	843 x 500 x 351	●	●		●
e-MatriX 800/500 RD	18	1000 x 804 x 549	822 x 500 x 396	●	●		●
e-MatriX 800/500 ST	20	946 x 805 x 548	800 x 500	●	●		●
e-MatriX 800/500 RD	18	1000 x 804 x 549	822 x 500 x 396	●		●	●
e-MatriX 800/500 ST	20	946 x 805 x 548	800 x 500	●		●	●
e-MatriX 800/650 I	22	891 x 940 x 517	800 x 650	●	●		●
e-MatriX 800/650 II	24	934 x 940 x 517	822 x 650 x 351	●	●		●
e-MatriX 800/650 III	26	995 x 940 x 552	843 x 650 x 351	●	●		●

*The versions with a heat option are 32 mm taller

For more information, please take a look at the website www.faber-fires.eu

HEATING	INTERIOR	SOUND	CONTROLLER	
Heat element	Back wall smooth steel	Sound module	Remote control	Bluetooth remote control
Optional	●	●	●	●
Optional	●	●	●	●
Optional	●	●	●	●
Optional	●	●	●	●
Optional	●	●	●	●
Optional	●	●	●	●
Optional	●	●	●	●
Optional	●	●	●	●
Optional	●	●	●	●
Optional	●	●	●	●

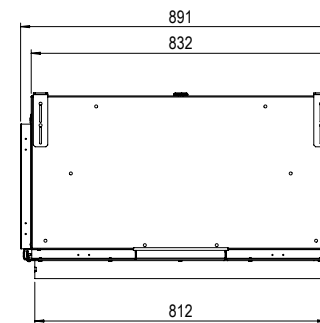
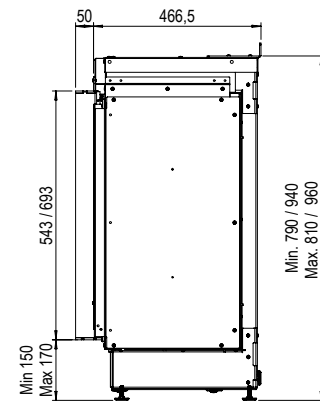
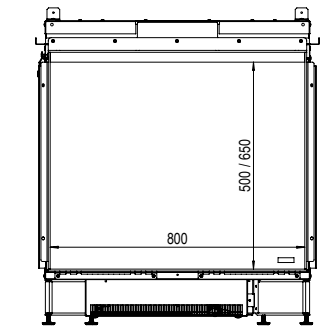
Maximum 2 kW heat output produces comfortable additional heating for a room of maximum 30m²

The options per fire produce an additional cost.

Line drawings

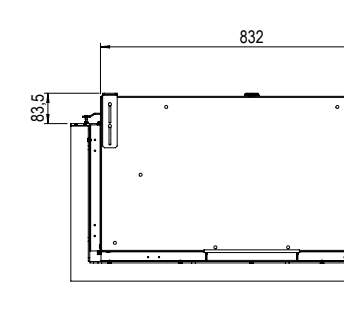
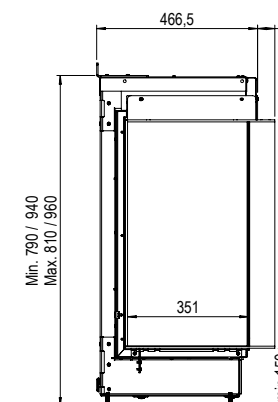
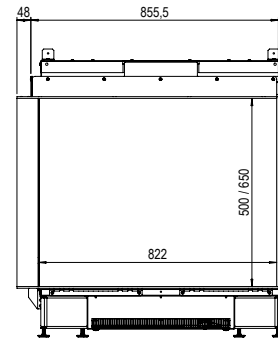
e-Matrix | 800/500 I

Page 12



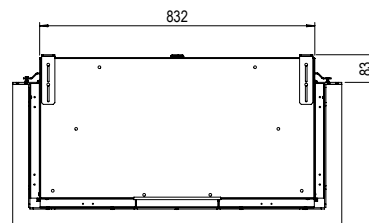
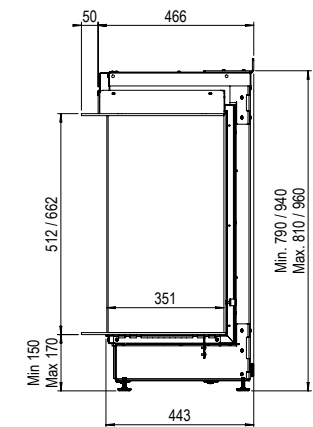
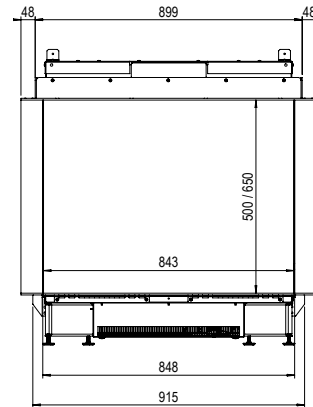
e-Matrix | 800/500 II

Page 14



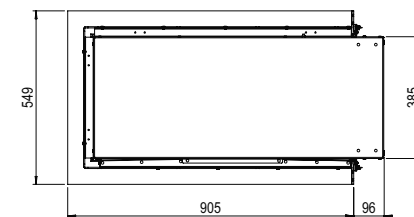
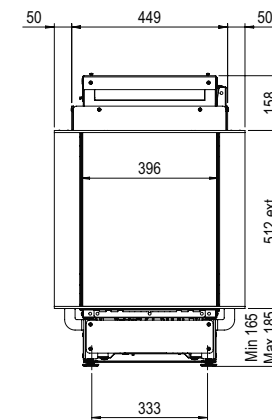
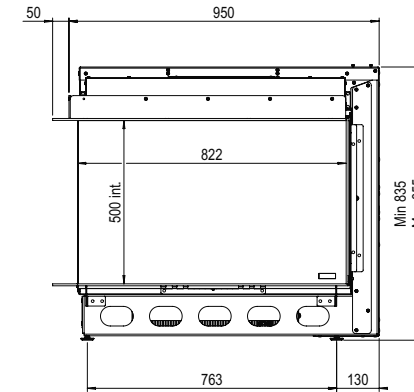
e-Matrix | 800/500 III

Page 16



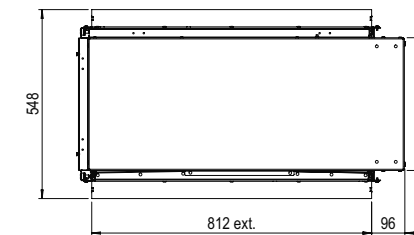
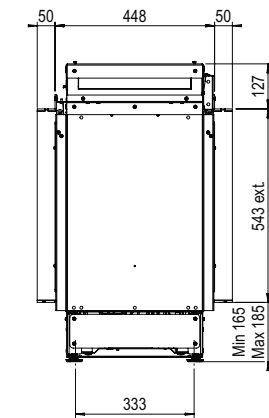
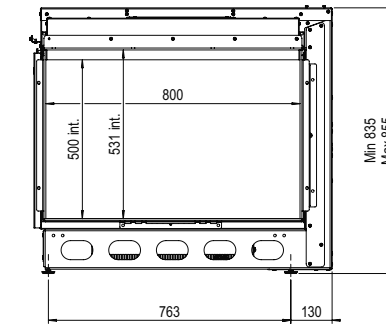
e-Matrix | 800/500 RD

Page 18



e-Matrix | 800/500 ST

Page 20



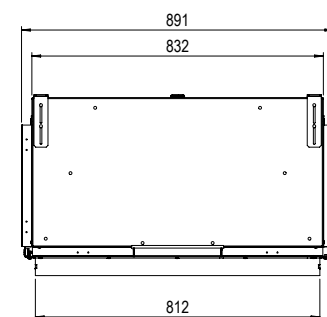
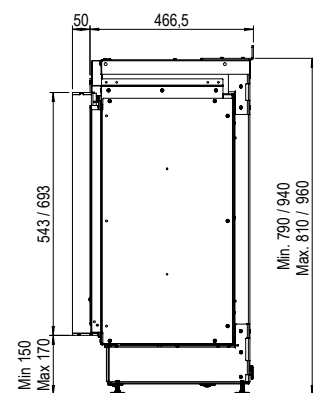
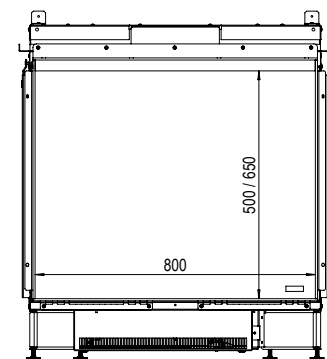
For the e-Matrix series, whilst stocks last, the fire casing may be 32mm lower than noted on the drawings in these brochures. After delivery, check the height of the fire casing to prevent misunderstandings.

The very latest drawings of Faber fires are available on the website www.faber-fires.eu.

Line drawings

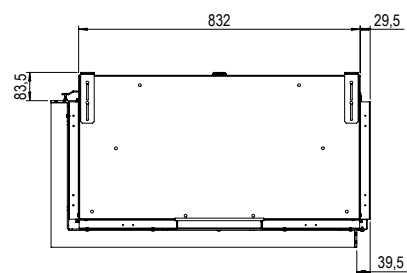
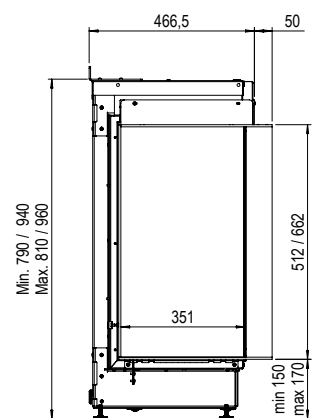
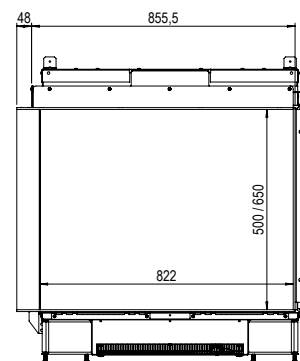
e-MatriX | 800/650 I

Page 22



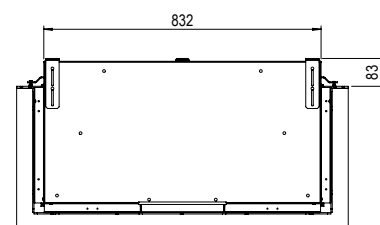
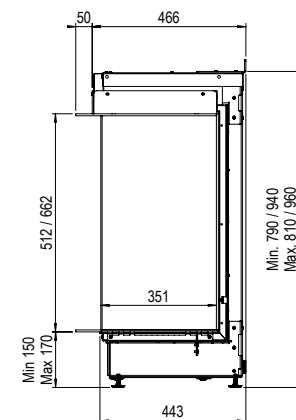
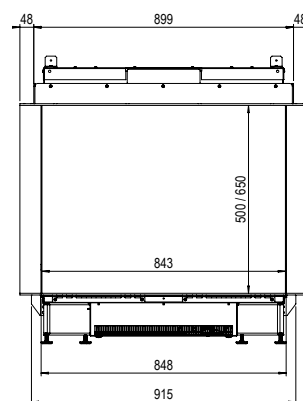
e-MatriX | 800/650 II

Page 24



e-MatriX | 800/650 III

Page 26



Draw a dream fire

in your own home

Measurements provide knowledge!

Would you like to know the exact dimensions of our inset fires and stoves? Our dimensions drawings are in this brochure or on our website www.faber-fires.eu.

You can also find our fires in the design programmes 'SketchUp' or PaletteCad. Convenient when you want to draw on your own inspiration! <https://www.sketchup.com/> and https://www.palettcad.com/en/home_2

The Faber dealer, who can be found on www.faber-fires.eu, will help you to realise your design.

Other Faber collections:



Matrix serie - gas fires



Free standing - gas fires

Your dealer:



Gas built in - gas fires



Outdoor - gas fires

Disclaimer

We have produced this publication with the greatest possible care. However the information, including drawings, in this publication may be represented incorrectly, it may have changed or been supplemented. This publication is subject to change. Glen Dimplex Consumer Appliances Europe is not responsible for the consequences of actions, decisions or results that are solely based on the information in this publication. We emphasise that the correct installation and safe operation should be in accordance with the applicable rules and regulations, the manual, and the expertise and advice of an expert. The photos in this publication only represent examples of possible configurations. Whilst stocks last. Our terms and conditions of delivery are available upon request.



Saturnus 8, NL-8448 CC Heerenveen
PO Box 219, NL-8440 AE Heerenveen

t +31 513 656 500
e info@faber-fires.eu

faber-fires.eu

@faberhaarden



FaberInternational



Proud brand of

